



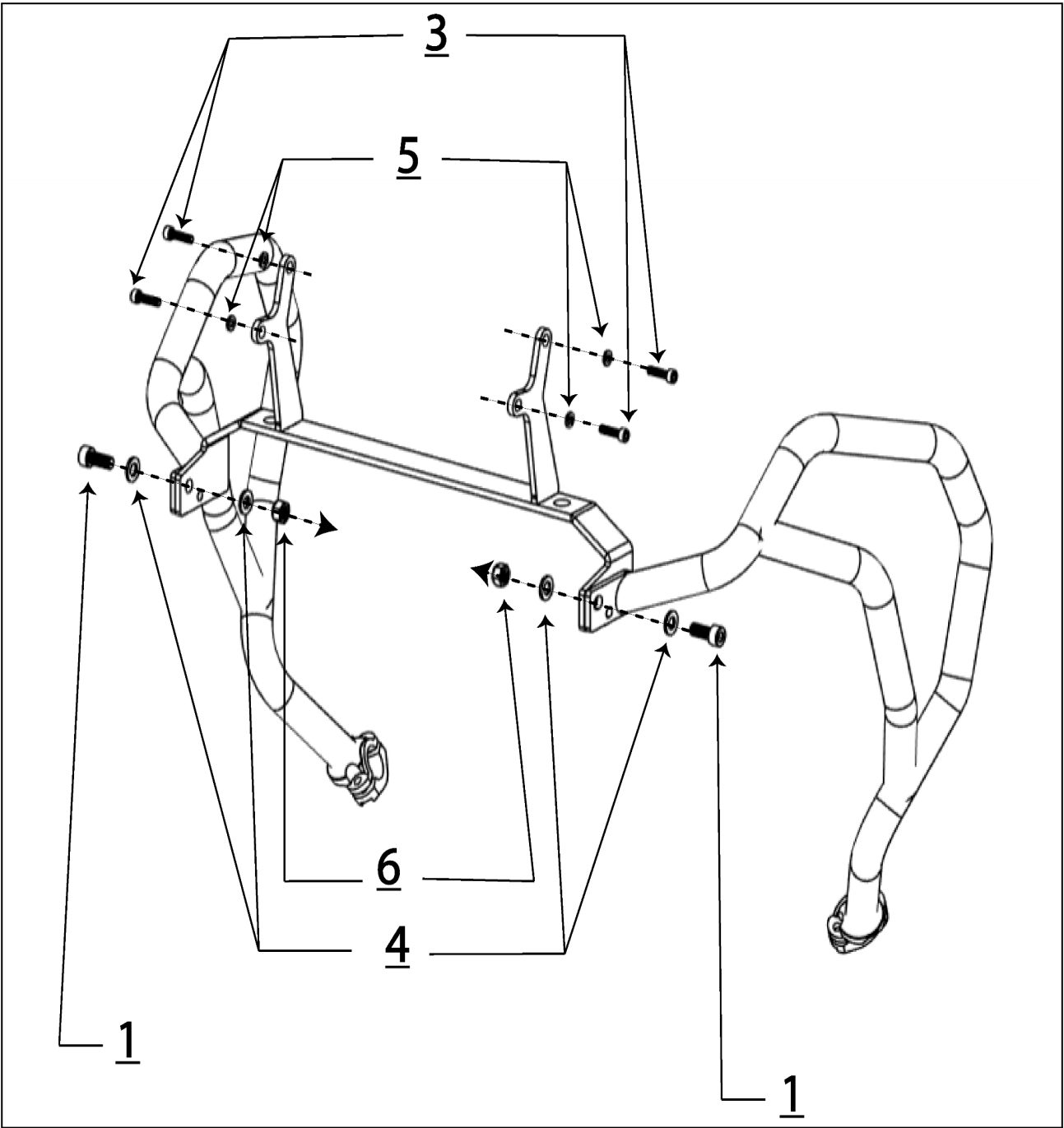
**OUTERFACE
MOTORCYCLES**

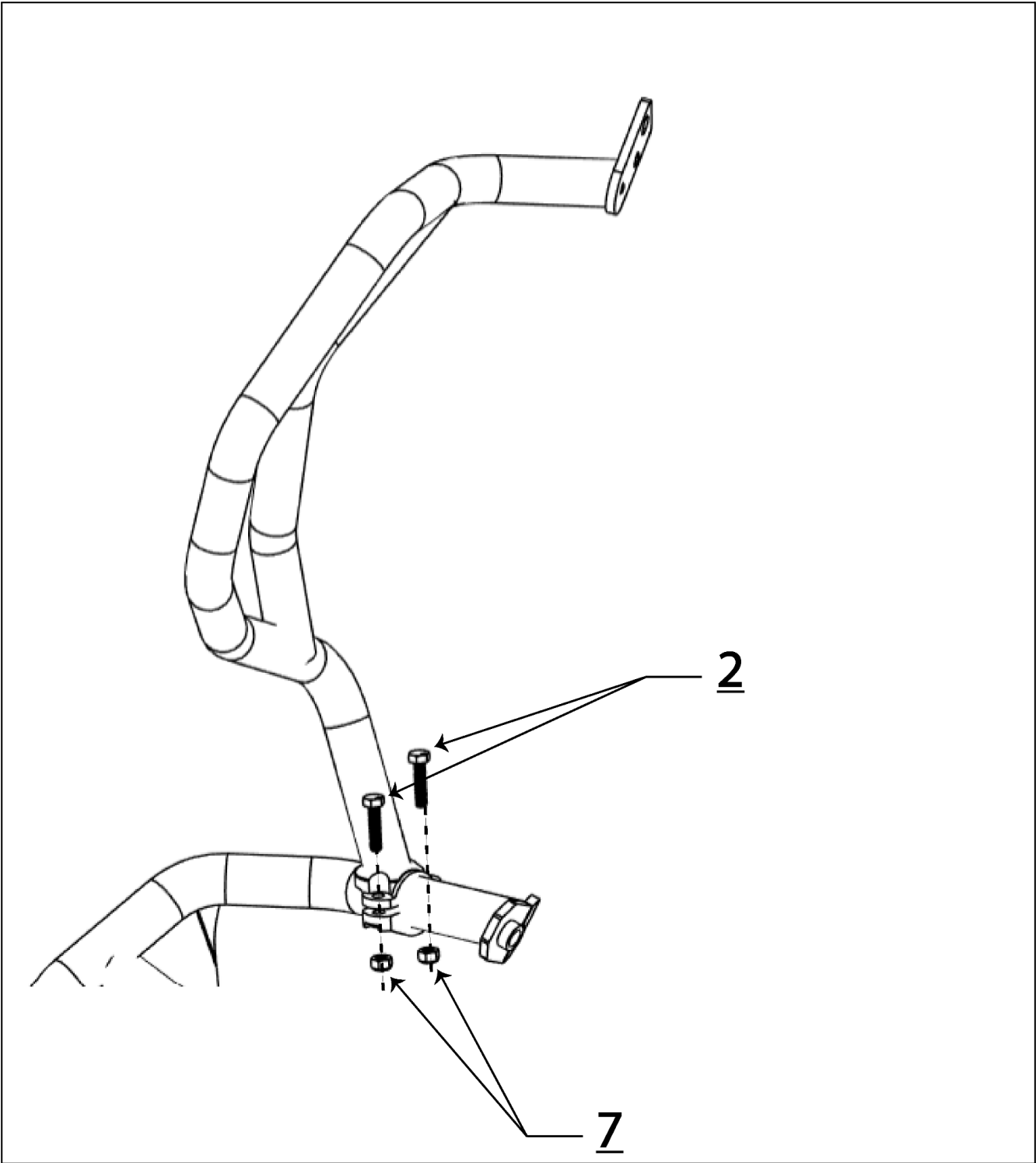
BMW R 1300 GS

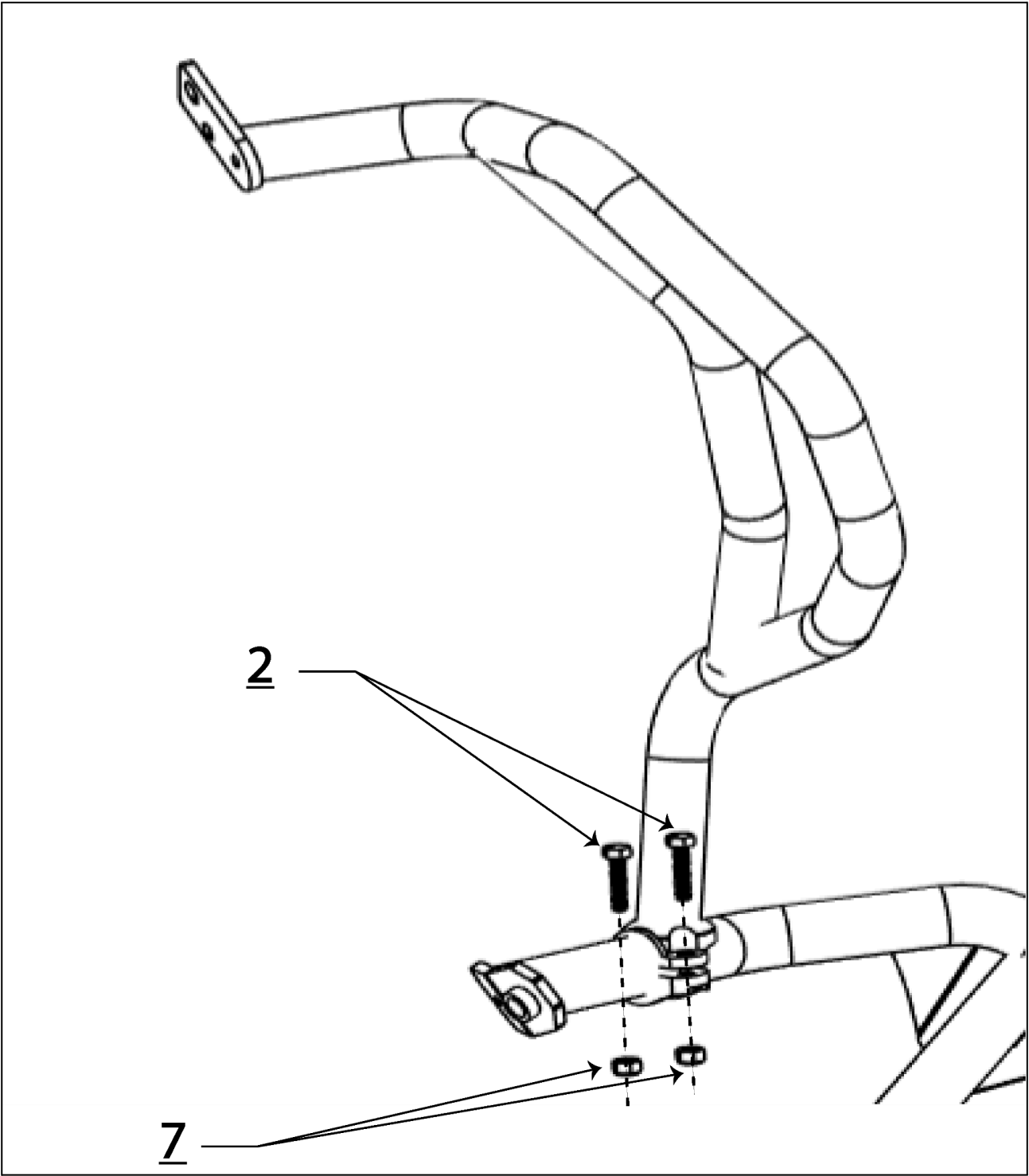
QUICK ASSEMBLY GUIDE | UPPER CRASH BARS

FOR FULL INSTALLATION INSTRUCTIONS, PLEASE WATCH [THIS VIDEO](#).

Number	QTY	Specifications	Torque (NM)
<u>1</u>	2	M8 x 20mm Allen Bolt	23
<u>2</u>	4	M6 x 25mm Allen Bolt	10
<u>3</u>	4	M5 x 20mm Allen Bolt	6
<u>4</u>	4	M8 Washer	-
<u>5</u>	4	M5 Washer	-
<u>6</u>	2	M8 Nyloc Nut	-
<u>7</u>	4	M6 Nyloc Nut	-







* PLEASE REFER TO THE OWNER'S (OR SERVICE) MANUAL FOR OEM TORQUE SPECIFICATIONS.